

# Movable joint of vacuum suction cup MLS

## Movable joint of vacuum suction cup MLS

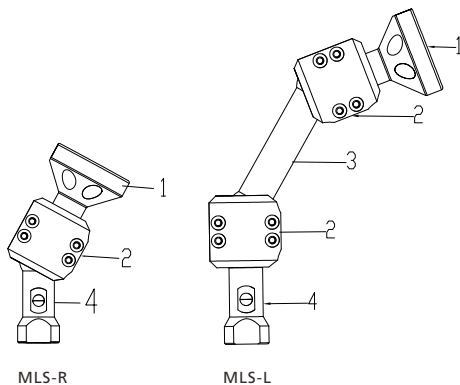
Movable joint of vacuum suction cup MLS



### Introduction and application

- ◆ The movable joint of vacuum suction cup is a new auxiliary component of suction cup for AMILA, which can be screwed into suction cups of different specifications. The supporting hose passes through the joint connecting rod and base to form a reliable vacuum solution
- ◆ The piping is placed inside the joint, which is convenient to install
- ◆ The joint angle can be freely adjusted to adapt to various products

System design of movable joint MLS



### Structure

- ◆ (1) ball head fixing mounting seat
- ◆ (2) ball head clamping block
- ◆ (3) ball head extension rod
- ◆ (4) the connector of ball head and suction cup



### Ordering data of Movable joint of vacuum suction cup MLS

Type	ordering data	Type	ordering data
MLS-R-14.3	30.06.01.00001	MLS-L-150-R-14.3	30.06.04.00001
MLS-L-50-R-14.3	30.06.02.00001	MLS-L-200-R-14.3	30.06.05.00001
MLS-L-100-R-14.3	30.06.03.00001		

# Movable joint of vacuum suction cup MLS

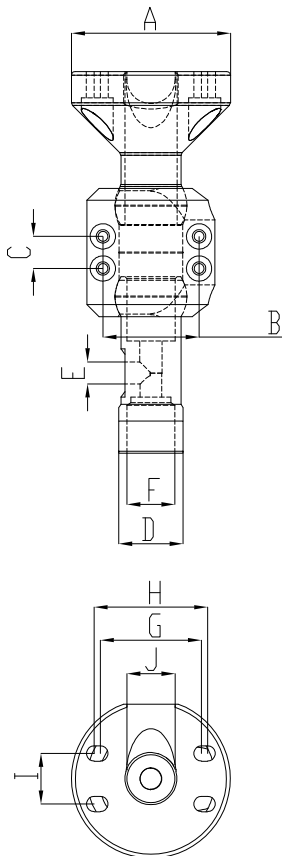


## Movable joint of vacuum suction cup MLS

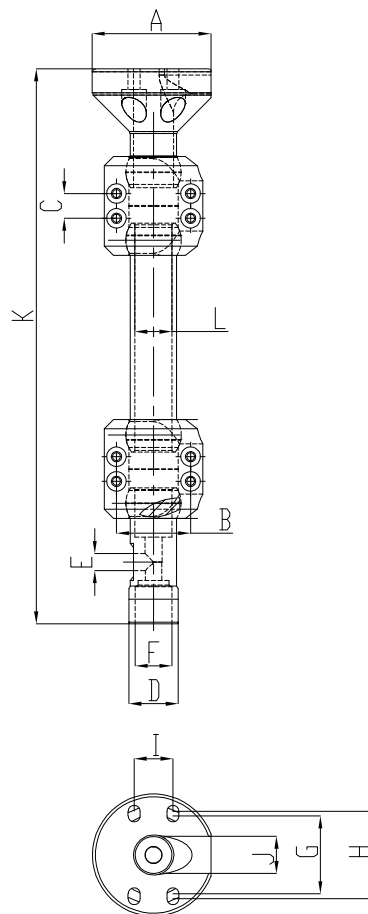


### Design parameter of Movable joint of vacuum suction cup MLS

MLS-R



MLS-L



Type	Size [mm]											
	A	B	C	D	E	F	G	H	I	J	K	L
MLS-R-14.3	63	38.1	12.7	31.5	G1/8	G1/2	40	45	20	19	150	-
MLS-L-50-R-14.3	63	38.1	12.7	31.5	G1/8	G1/2	40	45	20	19	235.1	23.8
MLS-L-100-R-14.3	63	38.1	12.7	31.5	G1/8	G1/2	40	45	20	19	285.1	23.8
MLS-L-150-R-14.3	63	38.1	12.7	31.5	G1/8	G1/2	40	45	20	19	335.1	23.8
MLS-L-200-R-14.3	63	38.1	12.7	31.5	G1/8	G1/2	40	45	20	19	385.1	23.8